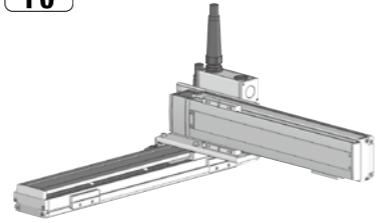


# ICSB2-BE□M ICSPB2-BE□M



RoHS  
10



### 型式項目

Table showing the product model breakdown: ICSB2-ICSPB2, BE□M-WA, X-axis stroke, Y-axis stroke, controller, cable length, cable configuration, and cable marking.

- (1) Model stroke label in cm.
(2) Cable length from connector to pulley.
(3) Max stroke and speed.
(4) Acc. 0.4G.
(5) Max payload 1000mm.
(6) High precision models.

### 型式内容

Table of XY combinations: 1, 2, 3, 4 with corresponding model numbers.

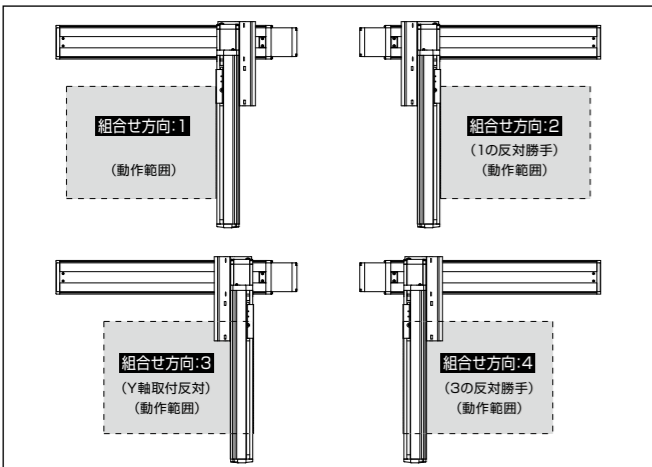
(注1) XY組合せ方向は下図を参照ください。上記型式の①～⑧の内容は下表をご参照ください。

### 型式内記号説明

Table of options: Encoder, stroke, axis options, Y-axis stroke, Y-axis options, cable length, cable marking, and Z-axis marking.

(注2) Max stroke 1000mm.
(注3) Z-axis marking options.

### XY組合せ方向



### 構成軸

Table of axis specifications: X-axis (ISB [ISPB]-LXM), Y-axis (ISB [ISPB]-MXM).

(注) Model numbers 1-5 refer to the option table. Stroke is in mm.

### ストローク別最高速度

Table of max velocity by stroke: X-axis (600, 600, 460, 380, 320, 270, 220) and Y-axis (600).

### 加速度別可搬質量

Table of payload by acceleration and Y-axis stroke (100-700mm).

(注4) Max payload is X-axis or Y-axis acceleration.

### オプション

Option codes for cable direction, seals, brakes, sensors, switches, and guides.

Table of option codes: Cable direction (AQ, B, C/CL, L/L, NM, RT), Seals (AQ), Brakes (B), Sensors (C/CL), etc.

(注5) Cable direction settings.
(注6) Sensor and brake dimensions.
(注7) Sensor and switch settings.

### 共通仕様

Table of common specs: Drive (Ball screw), Accuracy (±0.01mm), Backlash (0.05mm), Guide (Belt), Base (Aluminum), Motor (200W).

### 適応コントローラ

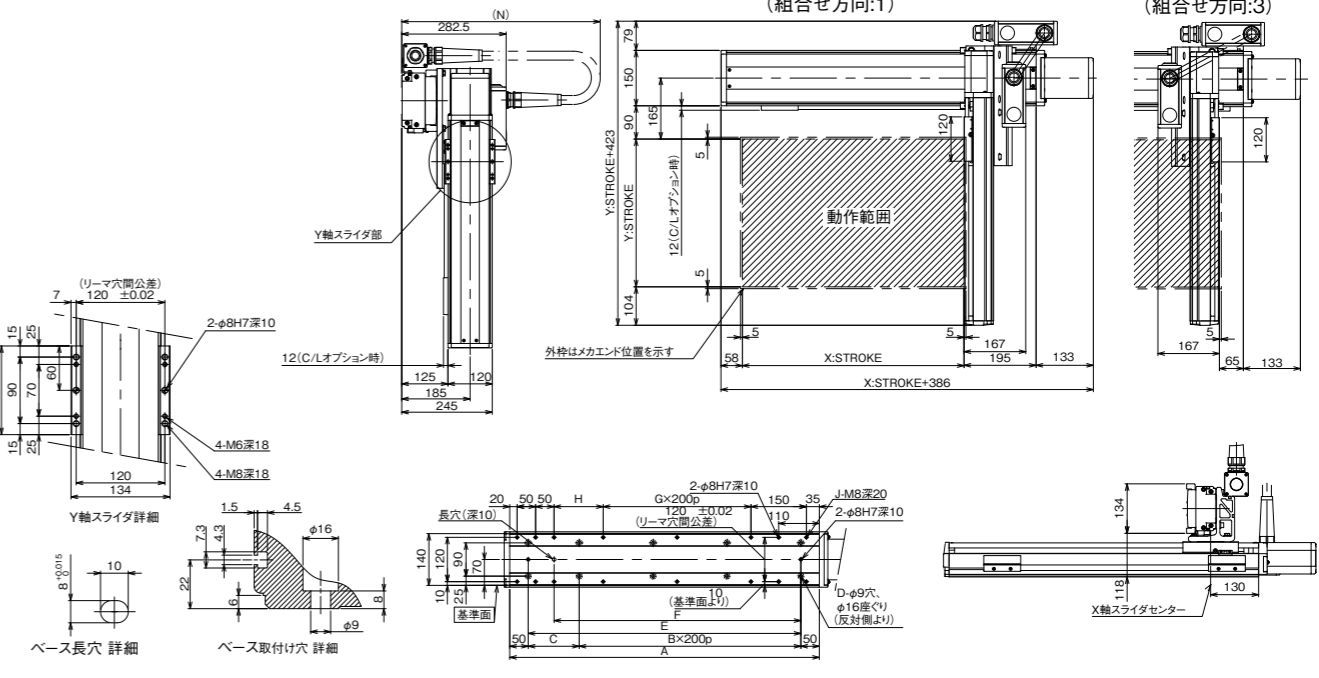
Refer to controller pages (8-8) for details. Sold separately.

### 寸法図

### ■ICSB2 [ICSPB2]-BE□M-SC (自立ケーブル仕様)

(注) Origin position is standard. Refer to option NM for changes.

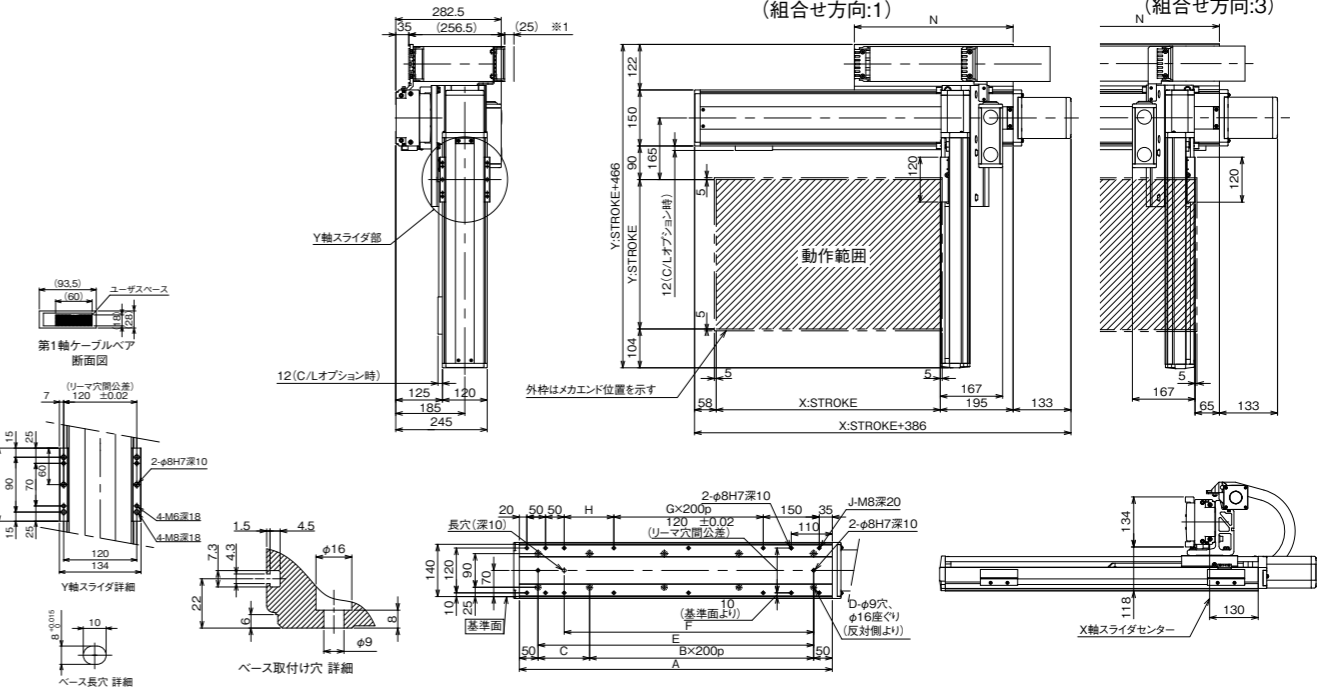
CAD drawings available on the homepage. www.iai-robot.co.jp



Large table of max velocity and payload for the SC model across various stroke lengths (100-1000mm).

### ■ICSB2 [ICSPB2]-BE□M-CT (ケーブルペア仕様)

\*1 Cable pair up to 25mm. (注) Origin position is standard. Refer to option NM for changes.



Large table of max velocity and payload for the CT model across various stroke lengths (100-1300mm).

