

IK3-P6BBF1 □ □ S

RCP6 3軸 XYB + Z軸ベース固定 組合せ
X軸：WSA14R(折返し)
Y軸：SA7R(折返し) Z軸：SA6R(折返し)

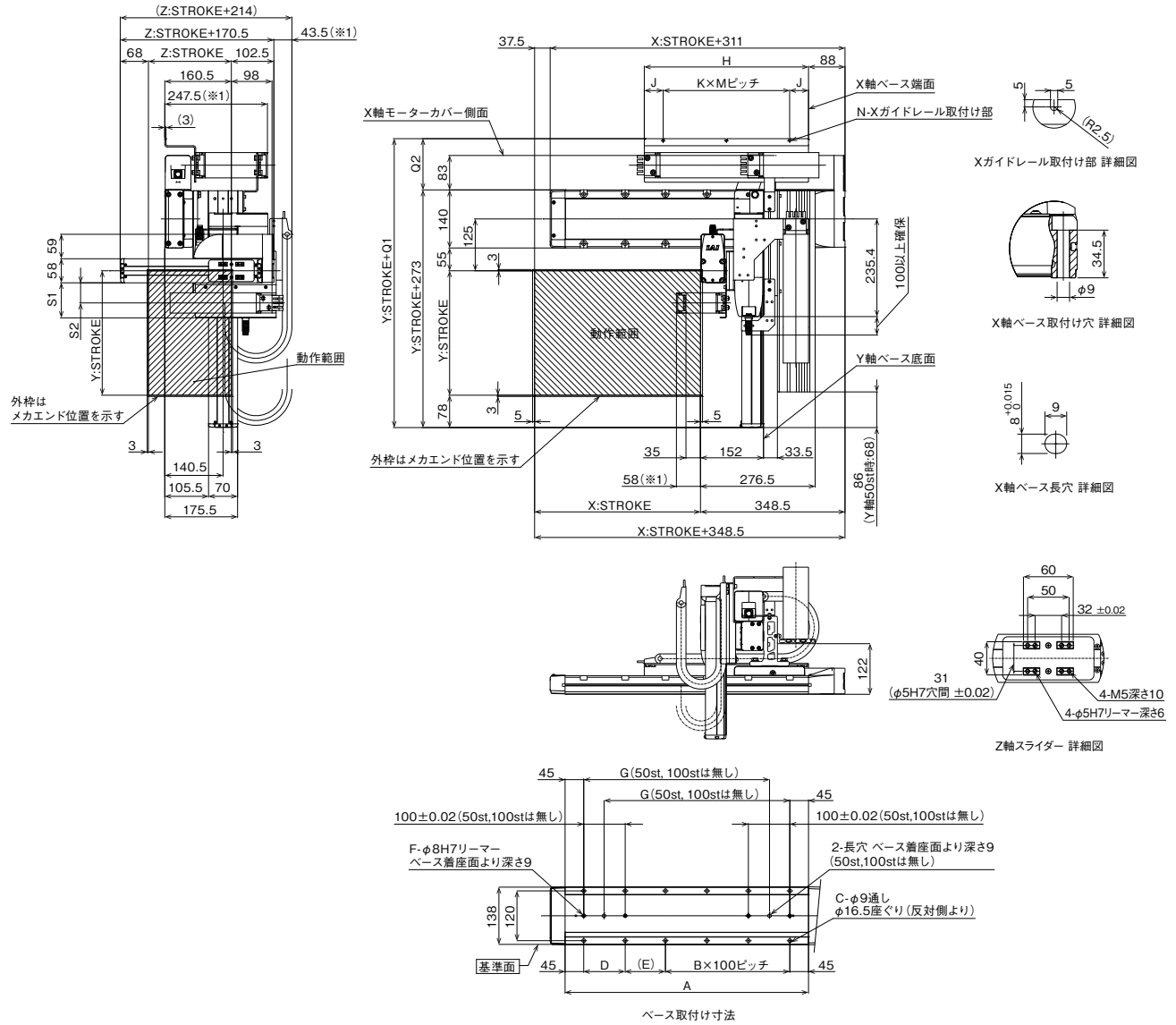
■型式項目

シリーズ	タイプ	エンコーダー種類	第1軸(X軸)	第2軸(Y軸)	第3軸(Z軸)	コントローラー	ケーブル
IK3-P6BBF1	S	WA			BCJO		
組合せ方向	速度タイプ	エンコーダー種類	ストローク	ストローク	ストローク	オプション	ケーブル長
1	HSL X高速・Y超高速・Z低速	WA パナソニック	50mm	50mm	50mm	PM1 下記	1L 1m
2	5-11ページ		50mm	50mm	50mm	PM2 下記	3L 3m
3	HSM X高速・Y超高速・Z中速		50mm	50mm	50mm		5L 5m
4	HSH X高速・Y超高速・Z高速		50mm	50mm	50mm		1L 1m
	HSS X高速・Y超高速・Z超高速		50mm	50mm	50mm		3L 3m
			50mm	50mm	50mm		5L 5m
			50mm	50mm	50mm		1L 1m
			50mm	50mm	50mm		3L 3m
			50mm	50mm	50mm		5L 5m
			50mm	50mm	50mm		1L 1m
			50mm	50mm	50mm		3L 3m
			50mm	50mm	50mm		5L 5m
			50mm	50mm	50mm		1L 1m
			50mm	50mm	50mm		3L 3m
			50mm	50mm	50mm		5L 5m
			50mm	50mm	50mm		1L 1m
			50mm	50mm	50mm		3L 3m
			50mm	50mm	50mm		5L 5m
			50mm	50mm	50mm		1L 1m
			50mm	50mm	50mm		3L 3m
			50mm	50mm	50mm		5L 5m
			50mm	50mm	50mm		1L 1m
			50mm	50mm	50mm		3L 3m
			50mm	50mm	50mm		5L 5m
			50mm	50mm	50mm		1L 1m
			50mm	50mm	50mm		3L 3m
			50mm	50mm	50mm		5L 5m
			50mm	50mm	50mm		1L 1m
			50mm	50mm	50mm		3L 3m
			50mm	50mm	50mm		5L 5m
			50mm	50mm	50mm		1L 1m
			50mm	50mm	50mm		3L 3m
			50mm	50mm	50mm		5L 5m
			50mm	50mm	50mm		1L 1m
			50mm	50mm	50mm		3L 3m
			50mm	50mm	50mm		5L 5m
			50mm	50mm	50mm		1L 1m
			50mm	50mm	50mm		3L 3m
			50mm	50mm	50mm		5L 5m
			50mm	50mm	50mm		1L 1m
			50mm	50mm	50mm		3L 3m
			50mm	50mm	50mm		5L 5m
			50mm	50mm	50mm		1L 1m
			50mm	50mm	50mm		3L 3m
			50mm	50mm	50mm		5L 5m
			50mm	50mm	50mm		1L 1m
			50mm	50mm	50mm		3L 3m
			50mm	50mm	50mm		5L 5m
			50mm	50mm	50mm		1L 1m
			50mm	50mm	50mm		3L 3m
			50mm	50mm	50mm		5L 5m
			50mm	50mm	50mm		1L 1m
			50mm	50mm	50mm		3L 3m
			50mm	50mm	50mm		5L 5m
			50mm	50mm	50mm		1L 1m
			50mm	50mm	50mm		3L 3m
			50mm	50mm	50mm		5L 5m
			50mm	50mm	50mm		1L 1m
			50mm	50mm	50mm		3L 3m
			50mm	50mm	50mm		5L 5m
			50mm	50mm	50mm		1L 1m
			50mm	50mm	50mm		3L 3m
			50mm	50mm	50mm		5L 5m
			50mm	50mm	50mm		1L 1m
			50mm	50mm	50mm		3L 3m
			50mm	50mm	50mm		5L 5m
			50mm	50mm	50mm		1L 1m
			50mm	50mm	50mm		3L 3m
			50mm	50mm	50mm		5L 5m
			50mm	50mm	50mm		1L 1m
			50mm	50mm	50mm		3L 3m
			50mm	50mm	50mm		5L 5m
			50mm	50mm	50mm		1L 1m
			50mm	50mm	50mm		3L 3m
			50mm	50mm	50mm		5L 5m
			50mm	50mm	50mm		1L 1m
			50mm	50mm	50mm		3L 3m
			50mm	50mm	50mm		5L 5m
			50mm	50mm	50mm		1L 1m
			50mm	50mm	50mm		3L 3m
			50mm	50mm	50mm		5L 5m
			50mm	50mm	50mm		1L 1m
			50mm	50mm	50mm		3L 3m
			50mm	50mm	50mm		5L 5m
			50mm	50mm	50mm		1L 1m
			50mm	50mm	50mm		3L 3m
			50mm	50mm	50mm		5L 5m
			50mm	50mm	50mm		1L 1m
			50mm	50mm	50mm		3L 3m
			50mm	50mm	50mm		5L 5m
			50mm	50mm	50mm		1L 1m
			50mm	50mm	50mm		3L 3m
			50mm	50mm	50mm		5L 5m
			50mm	50mm	50mm		1L 1m
			50mm	50mm	50mm		3L 3m
			50mm	50mm	50mm		5L 5m
			50mm	50mm	50mm		1L 1m
			50mm	50mm	50mm		3L 3m
			50mm	50mm	50mm		5L 5m
			50mm	50mm	50mm		1L 1m
			50mm	50mm	50mm		3L 3m
			50mm	50mm	50mm		5L 5m
			50mm	50mm	50mm		1L 1m
			50mm	50mm	50mm		3L 3m
			50mm	50mm	50mm		5L 5m
			50mm	50mm	50mm		1L 1m
			50mm	50mm	50mm		3L 3m
			50mm	50mm	50mm		5L 5m
			50mm	50mm	50mm		1L 1m
			50mm	50mm	50mm		3L 3m
			50mm	50mm	50mm		5L 5m
			50mm	50mm	50mm		1L 1m
			50mm	50mm	50mm		3L 3m
			50mm	50mm	50mm		5L 5m
			50mm	50mm	50mm		1L 1m
			50mm	50mm	50mm		3L 3m
			50mm	50mm	50mm		5L 5m
			50mm	50mm	50mm		1L 1m
			50mm	50mm	50mm		3L 3m
			50mm	50mm	50mm		5L 5m
			50mm	50mm	50mm		1L 1m
			50mm	50mm	50mm		3L 3m
			50mm	50mm	50mm		5L 5m
			50mm	50mm	50mm		1L 1m
			50mm	50mm	50mm		3L 3m
			50mm	50mm	50mm		5L 5m
			50mm	50mm	50mm		1L 1m
			50mm	50mm	50mm		3L 3m
			50mm	50mm	50mm		5L 5m
			50mm	50mm	50mm		1L 1m
			50mm	50mm	50mm		3L 3m
			50mm	50mm	50mm		5L 5m
			50mm	50mm	50mm		1L 1m
			50mm	50mm	50mm		3L 3m
			50mm	50mm	50mm		5L 5m
			50mm	50mm	50mm		1L 1m
			50mm	50mm	50mm		3L 3m
			50mm	50mm	50mm		5L 5m
			50mm	50mm	50mm		1L 1m
			50mm	50mm	50mm		3L 3m
			50mm	50mm	50mm		5L 5m
			50mm	50mm	50mm		1L 1m
			50mm	50mm	50mm		3L 3m
			50mm	50mm	50mm		5L 5m
			50mm	50mm	50mm		1L 1m
			50mm	50mm	50mm		3L 3m
			50mm	50mm	50mm		5L 5m
			50mm	50mm	50mm		1L 1m
			50mm	50mm	50mm		3L 3m
			50mm	50mm	50mm		5L 5m
			50mm	50mm	50mm		1L 1m
			50mm	50mm	50mm		3L 3m
			50mm	50mm	50mm		5L 5m
			50mm	50mm	50mm		1L 1m
			50mm	50mm	50mm		3L 3m
			50mm	50mm	50mm		5L 5m
			50mm	50mm	50mm		1L 1m
			50mm	50mm	50mm		3L 3m
			50mm	50mm	50mm		5L 5m
			50mm	50mm	50mm		1L 1m
			50mm	50mm	50mm		3L 3m
			50mm	50mm	50mm		5L 5m
			50mm	50mm	50mm		1L 1m
			50mm	50mm	50mm		3L 3m
			50mm	50mm	50mm		5L 5m
			50mm	50mm	50mm		1L 1m
			50mm	50mm	50mm		3L 3m
			50mm	50mm	50mm		5L 5m
			50mm	50mm	50mm		1L 1m
			50mm	50mm	50mm		3L 3m
			50mm	50mm	50mm		5L 5m
			50mm	50mm	50mm		1L 1m
			50mm	50mm	50mm		3L 3m
			50mm	50mm	50mm		5L 5m
			50mm	50mm	50mm		1L 1m
			50mm	50mm	50mm		3L 3m
			50mm	50mm	50mm		5L 5m
			50mm	50mm	50mm		1L 1m
			50mm	50mm	50mm		3L 3m
			50mm	50mm	50mm		5L 5m
			50mm	50mm	50mm		1L 1m
			50mm	50mm	50mm		3L 3m
			50mm	50mm	50mm		5L

寸法図

※1 ケーブルベアが膨らみ、記載寸法より若干大きくなる可能性があります。
 (注) 図面の組合せ位置が原点となります。
 (注) 第1配線・第2配線・第3配線ともケーブルベア付きの場合の図面です。
 (注) ケーブルベア、ケーブルベア移動端ブラケットの詳細は5-567ページをご覧ください。
 (注) X軸ケーブルベアガイドレールはお客様にてX軸を設置する面に固定してください。
 またZ軸ケーブルベアの移動端もZ軸スライダーにお客様が取付けたプレートなどに固定してください。

CAD図面がホームページよりダウンロード出来ます。
www.iai-robot.co.jp



■ストローク別寸法

X: ストローク	50	100	150	200	250	300	350	400	450	500	550	600	650	700	750	800
A	237	287	337	387	437	487	537	587	637	687	737	787	837	887	937	987
B	0	0	1	1	2	2	3	3	4	4	5	5	6	6	7	7
C	4	4	8	8	10	10	12	12	14	14	16	16	18	18	20	20
D	-	-	100	100	100	100	100	100	100	100	100	100	100	100	100	100
E	147	197	47	97	47	97	47	97	47	97	47	97	47	97	47	97
F	2	2	4	4	4	4	4	4	4	4	4	4	4	4	4	4
G	-	-	198	248	298	348	398	448	498	548	598	648	698	748	798	848
H	221	246	271	296	321	346	371	396	421	446	471	496	521	546	571	596
J	45.5	45.5	45.5	45.5	45.5	45.5	45.5	45.5	45.5	43	48	45.5	43	43	45.5	43
K	1	1	2	2	2	2	2	2	3	3	3	3	3	4	4	4
M	130	155	90	102.5	115	127.5	140	152.5	110	120	125	135	145	115	120	127.5
N	2	2	3	3	3	3	3	3	4	4	4	4	4	5	5	5

ケーブルベアサイズ	CT	CTM	CTL	CTXL
Q1	383.5	396.5	409.5	426.5
Q2	110.5	123.5	136.5	153.5
S1	84.5	96.5	-	-
S2	48.5	55	-	-

(注) ケーブルベアのサイズにより、Q1、Q2、S1、S2の寸法が変わります。